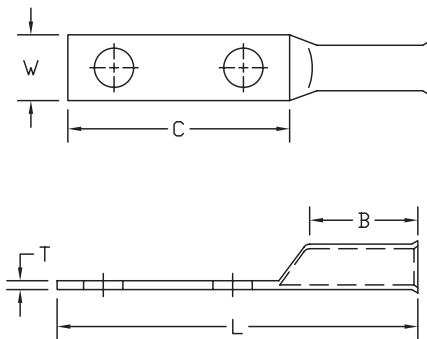


Long Flared Barrel - Two Hole Tongue with Closed Transition

Type BBLU-D-FL

- Suitable for use with Class B, C, I, K, H, G, M and DLO conductors ♦
- Manufactured from high conductivity seamless copper tubing
- Tin-plated to inhibit corrosion
- **Flared barrel entry provides easy cable insertion for fine stranded flexible cables and minimizes strain during flexing and movement**
- Closed transition protects end of cable from environmental conditions
- Two hole mounting pad assures maximum secureness
- Long barrel provides high pull out force and added secureness for improved mechanical and electrical properties
- Color coded barrels are marked with die index numbers
- Connectors are suitable for voltages up to 35 KV
- 45° and 90° angles are UL listed and CSA certified
- **Connectors are UL listed and CSA certified with Penn-Union, Burndy T&B, Huskie, Greenlee and Versa-Crimp® style tooling**



BBLU-D-FL

See table for dimensions and installation tooling information

BBLU-D-FL DIMENSIONS & INSTALLATION TOOLING INFORMATION

CATALOG NUMBER	COPPER CONDUCTOR SIZE	STUD HOLE SIZE	FIGURE DIMENSIONS (IN.)						INSTALLATION TOOLING				WIRE STRIP LENGTH
			STUD HOLE SPACING	TONGUE WIDTH "W"	TONGUE LENGTH "C"	TONGUE THICKNESS "T"	BARREL LENGTH "B"	OVERALL LENGTH "L"	COLOR CODE	PENN-UNION DIELESS MECHANICAL TOOL	BURNDY DIE INDEX NO.	PENN-UNION DIE CATALOG NO.	
BBLU-3D-FL	3 AWG	5/16"	.88	.53	1.63	.09	1.13	3.03	White	TDM-250XF	9	T-9	1-1/4"
BBLU-1D-FL	1 AWG	5/16"	.88	.67	1.63	.11	1.38	3.38	Green		11	T-11	1-1/2"
BBLU-1/0D-FL	1/0 AWG	5/16"	.88	.73	1.59	.13	1.38	3.31	Pink		12	T-12	1-1/2"
BBLU-2/0D-FL	2/0 AWG	1/2"	1.75	.82	3.00	.12	1.50	4.84	Black		13	T-13	1-5/8"
BBLU-3/0D-FL	3/0 AWG	1/2"	1.75	.89	3.00	.13	1.50	4.91	Orange		14	T-14	1-5/8"
BBLU-4/0D-FL	4/0 AWG	1/2"	1.75	1.00	3.00	.14	1.63	5.10	Purple		15	T-15	1-3/4"
BBLU-030D-FL	300 kcmil	1/2"	1.75	1.19	3.00	.16	2.00	5.59	White		17	T-17	2-1/8"
BBLU-035D-FL	350 kcmil	1/2"	1.75	1.28	3.00	.17	2.00	5.66	Red		18	T-18	2-1/8"
BBLU-040D-FL	400 kcmil	1/2"	1.75	1.39	3.00	.19	2.13	5.79	Blue		19	T-19	2-1/4"
BBLU-050D-FL	500 kcmil	1/2"	1.75	1.53	3.00	.21	2.25	6.03	Brown		20	T-20	2-3/8"
BBLU-060D-FL	600 kcmil	1/2"	1.75	1.72	3.00	.27	2.69	6.56	Green		22	T-22	2-3/4"
BBLU-065D-FL	650 kcmil	1/2"	1.75	1.78	3.00	.27	2.81	6.68	Pink		300	T-300	2-15/16"
BBLU-075D-FL	750 kcmil	1/2"	1.75	1.91	3.00	.27	2.88	6.85	Black		24	T-24	3"
BBLU-080D-FL	800 kcmil	1/2"	1.75	1.97	3.00	.25	2.94	7.00	Orange		25	T-25P	3-1/16"
BBLU-100D1-FL	1000 kcmil	1/2"	1.75	2.17	3.00	.33	3.00	7.16	White		27	T-27P	3-1/8"
BBLU-100D3-FL		5/8"	1.75	2.17	3.00	.33	3.00	7.16					
BBLU-150D1-FL	1500 kcmil	1/2"	1.75	2.69	3.00	.39	3.19	7.44	Green		31	T-31P	3-5/16"

◆ For additional wire size recommendations please refer to page 73

• For 45° or 90° BENT TONGUES add suffix "-45" for 45 deg. or "-90" for 90 deg. to the catalog number

- Connectors from 8 AWG - 2000 kcmil are UL listed per UL486A-B and CSA certified per C22.2 No.65 for POWER applications
- Connectors from 8 AWG - 500 kcmil are UL listed for grounding, bonding and direct burial applications per UL467
- Connectors from 8 AWG - 250 kcmil are CSA certified for grounding, bonding and direct burial applications per C22.2 No.41